

COFFEEA® "X-DUO"

www.coffea.group 718-473-2533

The world's ONLY limitless Vacuum Extraction Brewer

" Only limitless vacuum extraction precisely controls ALL the variables
& ONLY Coffea® does this with the push of a button"

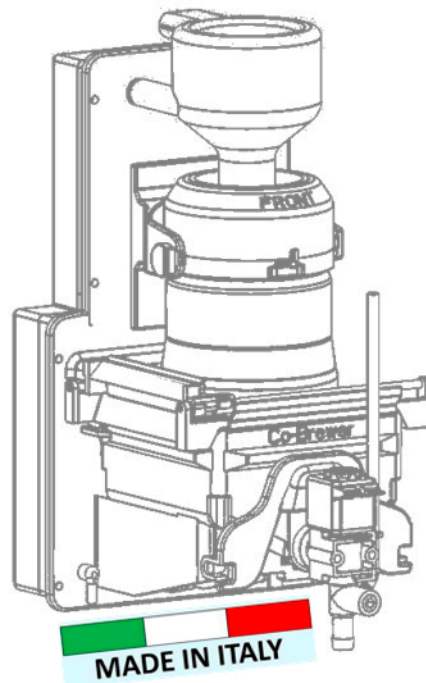


Features:

- * Fresh brew from "Bean to Cup" & "Leaf to Cup"
- * Patented Vacuum Brewing System (Siphon method)
- * Two Co-Brewers inside / No cross-contamination
- * Cost Efficient; "Getting only the best in the Cup"
- * Brew Tea & Coffee (HOT & ICED) in a single cup from 4-24oz or brew any size carafe up to 64 oz
- * Co-Brewer—new paperless brewing system
- * Intuitive 10.4" touch screen interface - able to load personalised video, settings and counters.
- * Simple to operate, easy to maintain...

Technical Data:

- Dimensions (H x W x D): 33" x 15" x 20"
- Clearance required on top = 4"
- Weight = 75 lbs
- 1 x 5 lb whole bean containers
- 1 x 5 lb tea leaf containers
- Electrical = Standard 120V/15A outlet
- Power Cord Length = 6 feet
- Plumbed water connection required
- Water filter suggested
- UL/CSA, ETL Intertek
- Windows based video interface,
- USB connections
- 100% Stainless Steel Construction



Co-Brewer = paperless vacuum brewer



COFFEA® X-DUO

NEXT GENERATION OF COFFEE & TEA BREWERS

BEAN TO CUP
& LEAF TO CUP

TWO INDEPENDENT CYCLES
WITHOUT CROSS-CONTAMINATION

MADE OF 100% RECYCLED
STAINLESS STEEL

WITH TWO NEW
PAPERLESS
CO-BREWERS
INSIDE...

Products of the Year

**READERS'
CHOICE
AWARDS
2024**

**Automatic
MERCHANTISER
Vending
MARKETWATCH™**



COFFEA.GROUP

718-473-2533